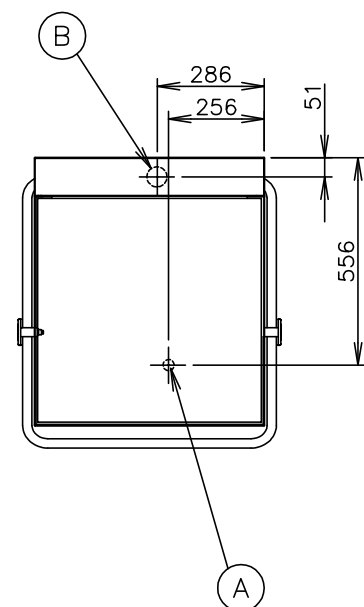


| NO | CONNECTION              | SPECIFICATION  |
|----|-------------------------|--|
| A  | DISHWASHER WATER SUPPLY | G3/4   |
| B  | WASH TANK DRAIN         | Drain Hose<br>45mm DIA x 39mm DIA<br>2000mm long outside |
| C  | POWER CORD              | 2800mm long outside (with Earth Wire, No Plug)           |

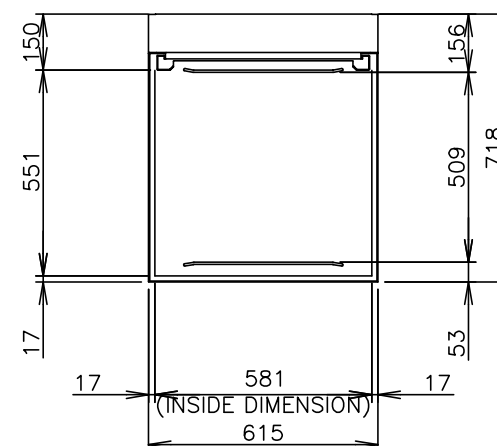
|                      |   |
|----------------------|---|
| OPERATING CONDITIONS | Ambient Temperature: 5 - 35°C Relative Humidity: Max 85%<br>Voltage Range: Rated Voltage ±6% Water Supply Pressure: 0.1 - 0.6MPa<br>Water Supply Temperature: Upper Limit 50°C Max Water Hardness: 100 mg/L |
|----------------------|---|

- \*We reserve the right to make changes in specifications and design without prior notice.
1. Install the product properly in accordance with the instructions on location, water supply/drain connections and electrical connections stated in the instruction and installation manuals provided. Allow 10mm extra space at the installation site to meet any installation requirements (additional spacing is also required for proper air flow and water connections).
  2. Product code: J030

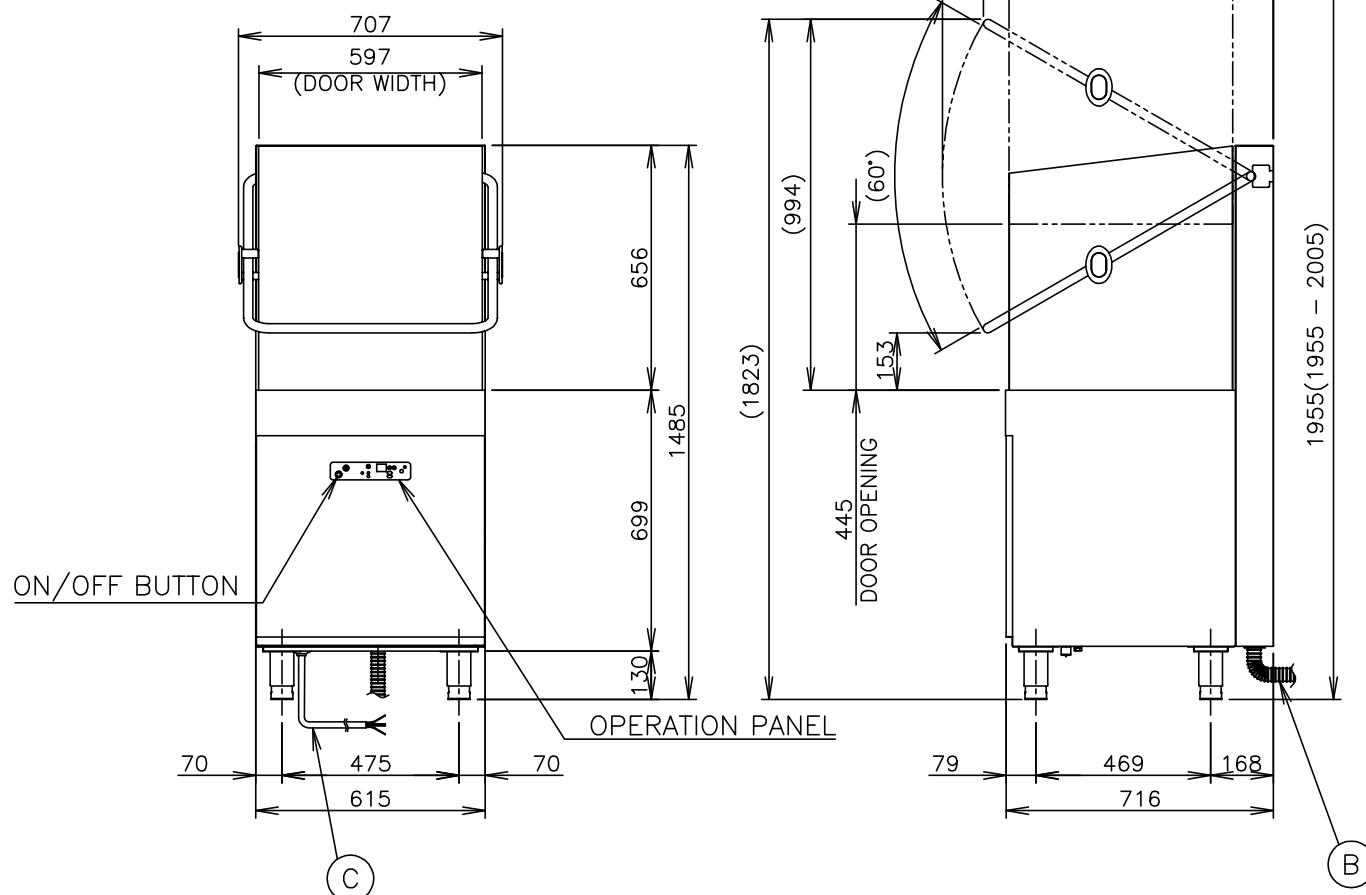
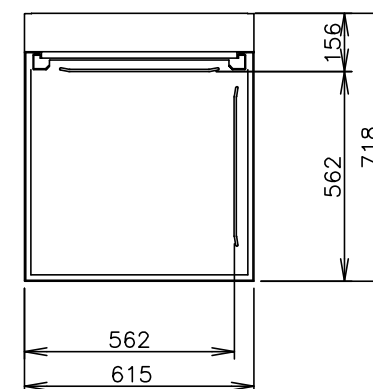
|                               |  |   |
|-------------------------------|--|---|
| ITEM                          | Hoshizaki Dishwasher   |   |
| TYPE                          | HW-600A  |   |
|                               | Wash Tank Side   | Booster Tank Side                       |
| POWER SUPPLY                  | 3 Phase 4-wire 380V 50Hz<br>Capacity: 23.1kVA (35.0A)  |   |
| AMPERAGE                      | Max Running: 33.0A<br>Rated Motor: 4.0A<br>Starting: 15.0A   |   |
| ELECTRIC CONSUMPTION          | Motor : 900W (Power Factor: 96%)<br>Rated Heater: 15.0kW<br>Max Electric Consumption: 15.9kW       |   |
| HEATER                        | 3.0kW  | 12.0kW                                  |
| POWER CORD                    | 2.8mm (with Earth Wire, No Plug)   |   |
| OUTSIDE DIMENSIONS            | 615mm (W) x 718mm (D) x 1485 (1485-1535) mm (H)  |   |
| EXTERIOR                      | Stainless Steel  |   |
| INSULATION                    | N/A  |   |
| INSULATION FOAM BLOWING AGENT | N/A  |   |
| DOOR                          | Vertical Sliding Door (opening height 445mm)   |   |
| RACK SIZE                     | 500 x 500mm  |   |
| NUMBER OF LARGE DISHES/RACK   | 16 large dishes (230mm DIA)  |   |
| CYCLE TIME                    | 60s (Wash 48s, Dwell 5s, Rinse 6s, Dwell 1s)   |   |
| WATER CONSUMPTION             | Rinse Water per Cycle: Approx. 2.0L  |   |
| WASH SYSTEM                   | Upper and Lower Rotary Arms (Triple Arm)   |   |
| RINSE SYSTEM                  | Upper and Lower Rotary Arms  |   |
| PUMP                          | Wash: 710W Rinse: 100W   |   |
| DRAIN SYSTEM                  | Removal of Overflow Pipe, Natural Overflow Drain   |   |
| START                         | Door Switch (start switch mode also available)   |   |
| DRY SYSTEM                    | Residual Heat Drying   |   |
| REFUSE DISPOSAL               | Filter Collection  |   |
| DETERGENT                     | Not Provided   |   |
| DISPLAY                       | Ready, Auto Fill, Standard, Long, Rinse<br>Wash Temp/Rinse Temp (selectable by switch), Error Code |   |
| TANK CAPACITY                 | Approx. 22L  | Approx. 7.6L                            |
| HOT WATER SUPPLY              | Automatic Supply by Microprocessor Control   | Automatic Supply by Water Valve         |
| TEMPERATURE CONTROL           | Thermistor (Water Temp: Approx 60°C)   | Thermistor (Water Temp: Approx 78°C)    |
| CONNECTIONS                   | Drain: Drain hose Water Supply: G3/4   |   |
| WASH CYCLE TIME               | Standard: Adjustable 1-99s (in 1s steps)<br>Long: Adjustable 10-990s (in 10s steps)                | Microprocessor Controlled               |
| RINSE CYCLE TIME              | Adjustable 5-12s (in 1s steps)   |   |
| END-OF-CYCLE BUZZER           | Adjustable 0(Mute) - Max   |   |
| BOIL-DRY PROTECTION           | Pressure Switch Thermistor (Auto-reset)  | Pressure Switch Thermistor (Auto-reset) |
| SAFETY SYSTEM                 | Door Switch, Emergency Stop by Microprocessor Control  |   |
| LEG                           | Stainless Steel, Adjustable 130 - 180mm  |   |
| WEIGHT                        | 105kg (Gross 116kg)  |   |
| PACKAGE                       | Crate 725mm (W) x 795mm (D) x 1638mm (H)   |   |
| ACCESSORIES                   | Maintenance sheet  |   |
| OPTIONAL PARTS                | Not Provided   |   |



RACK SUPPORT FRAME LAYOUT  
STRAIGHT INSTALLATION



RACK SUPPORT FRAME LAYOUT  
CORNER INSTALLATION



# HOSHIZAKI DISHWASHER HW-600A

|                       |                     |                       |                 |                    |                       |
|-----------------------|---------------------|-----------------------|-----------------|--------------------|-----------------------|
| APPROVED<br>KOBAYASHI | CHECKED<br>TAMEISHI | DESIGNED<br>TOMOTSUKA | DRAWN<br>OHASHI | SCALE<br>1/20      | TRIGONOMETRY          |
| *                     | *                   | △                     | ****            | DATE<br>2019.03.12 | DRAWING NO.<br>D24457 |
| APPROVED              | DESIGNED            | SYMBOL                | DATE            |                    | SYMBOL<br>△           |