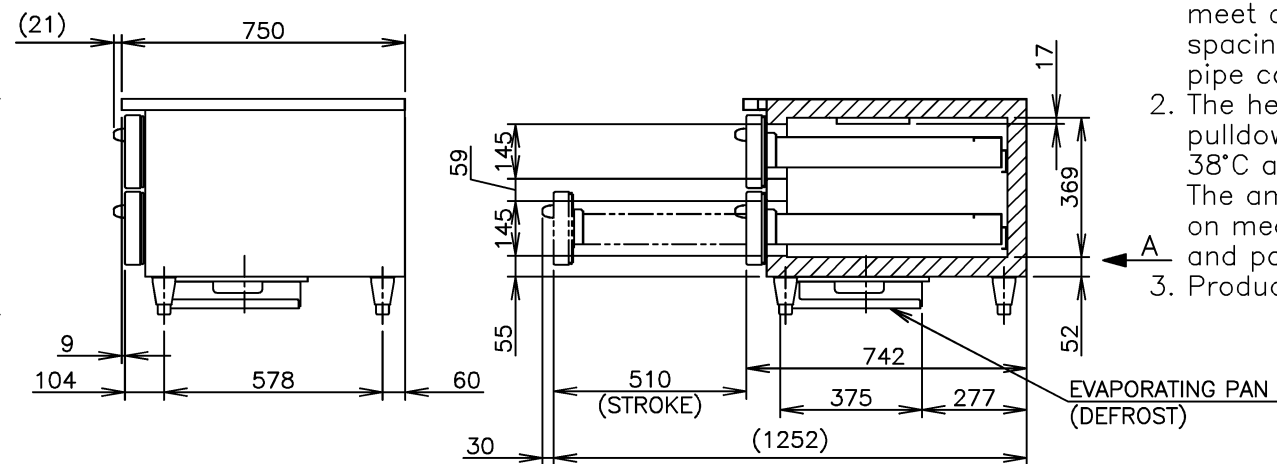
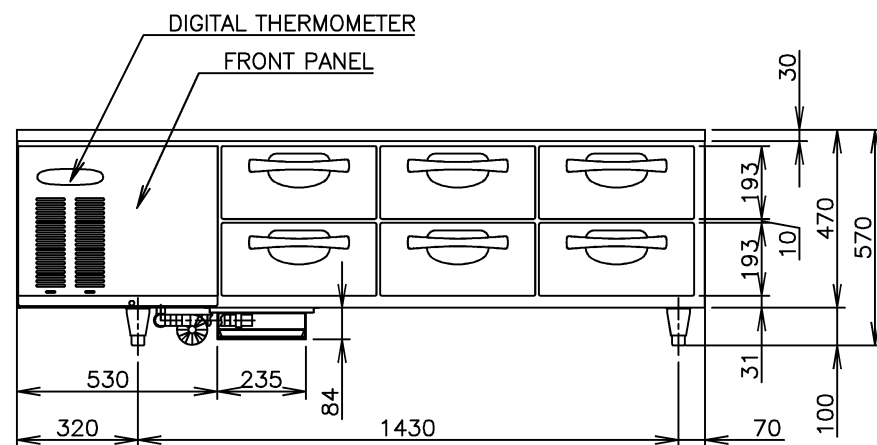
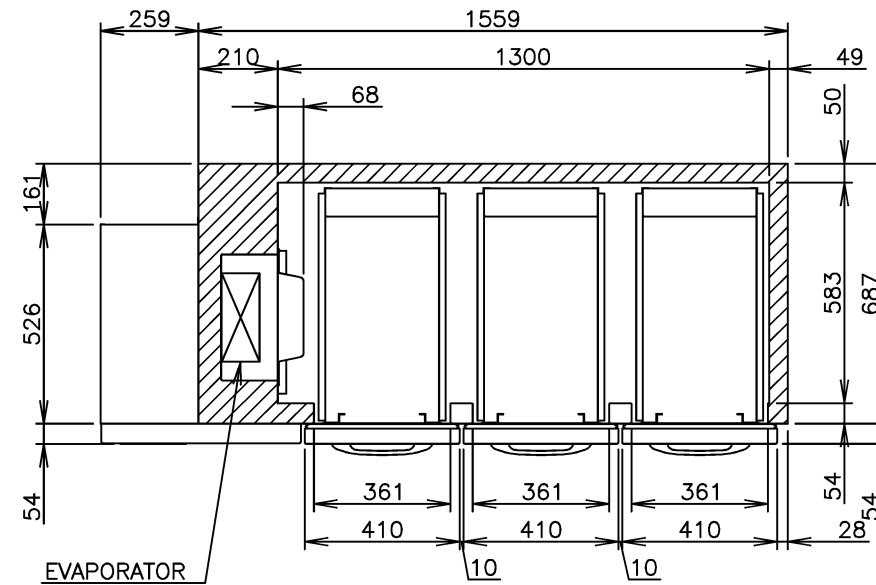
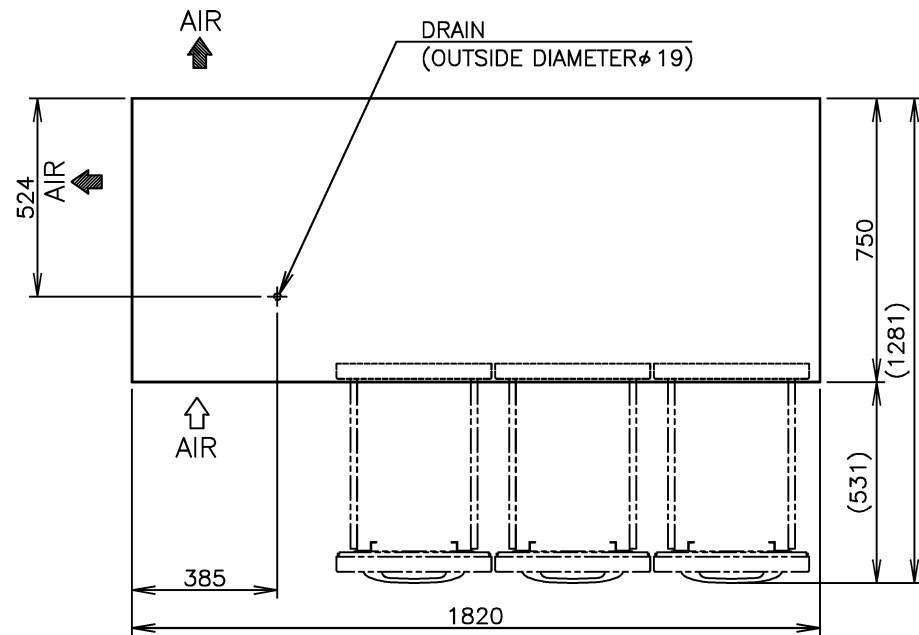


VIEW A (1/10)



ITEM	Hoshizaki Drawer Type Undercounter Refrigerator
MODEL	RTL-188MA-SD
POWER SUPPLY	1 Phase 220-240V 50Hz Capacity: 0.5kVA (2.27A)
AMPERAGE	Rated: 1.9A
ELECTRIC CONSUMPTION	Motor: 225W(Power Factor: %) Heater: 260W Refrigeration: 257W Defrost: 260W
HEAT REJECTION	*W
POWER CORD	2.0m (UK Plug with Earth Wire)
EFFECTIVE CAPACITY	267L
OUTSIDE DIMENSIONS	1820mm (W) x 750mm (D) x 570 (560-590) mm (H)
INSIDE DIMENSIONS	1300mm (W) x 583mm (D) x 369mm (H)
EXTERIOR	Stainless Steel, Galvanized Steel (Rear/Bottom) Stainless Steel (Door, Front Panel)
INTERIOR	Stainless Steel
INSULATION	Polyurethane Foam
INSULATION FOAM BLOWING AGENT	Cyclopentane
REFRIGERATION SYSTEM	Forced Air Circulation
DEFROST SYSTEM	Heater
COMPRESSOR	Hermetic 280W (cooling capacity)
CONDENSER	Fin and Tube type, Air-cooled
EVAPORATOR	Fin and Tube Type
REFRIGERANT	R134a/110g
TEMPERATURE CONTROL	Microprocessor (Digital Temp Indication) Adjustable from -6 to 12°C
DEFROST CONTROL	Microprocessor
ELECTRIC CIRCUIT PROTECTION	Fuse, Earth Wire
REFRIGERANT CIRCUIT PROTECTION	Motor Protector
LEG	Plastic Adjustable 90 to 120mm
WEIGHT	120kg (Gross Approx. 125kg)
PACKAGE	Carton 1865mm (W) x 830mm (D) x 560mm (H)
ACCESSORIES	Drain Hose x 1, Drain Pan x 1
OPERATING CONDITIONS	Ambient Temperature: 5-38°C Voltage Range: Rated Voltage \pm 6%

*We reserve the right to make changes in specifications and design without prior notice.

1. Install the product properly in accordance with the instructions on location, electrical connections stated in the instruction manual provided. Allow 10mm extra space at the installation site to meet any installation requirements (additional spacing is also required for proper air flow and pipe connections).
2. The heat rejection is based on the reached pulldown temperature at ambient temperature of 38°C and power supply of 230V 50Hz. The amperage and electric consumption are based on measurements at ambient temperature of 38°C and power supply of 230V 50Hz.
3. Product code: T253-C100 (For HS)

HOSHIZAKI DRAWER TYPE UNDERCOUNTER REFRIGERATOR RTL-188MA-SD

APPROVED KAWAKAM	CHECKED WANG	DESIGNED KAWAKAMI	DRAWN ZHANG	SCALE 1/20	TRIGONOMETRY
* APPROVED	* DESIGNED	Δ SYMBOL	* DATE	2019.03.07	DRAWING NO. D24723